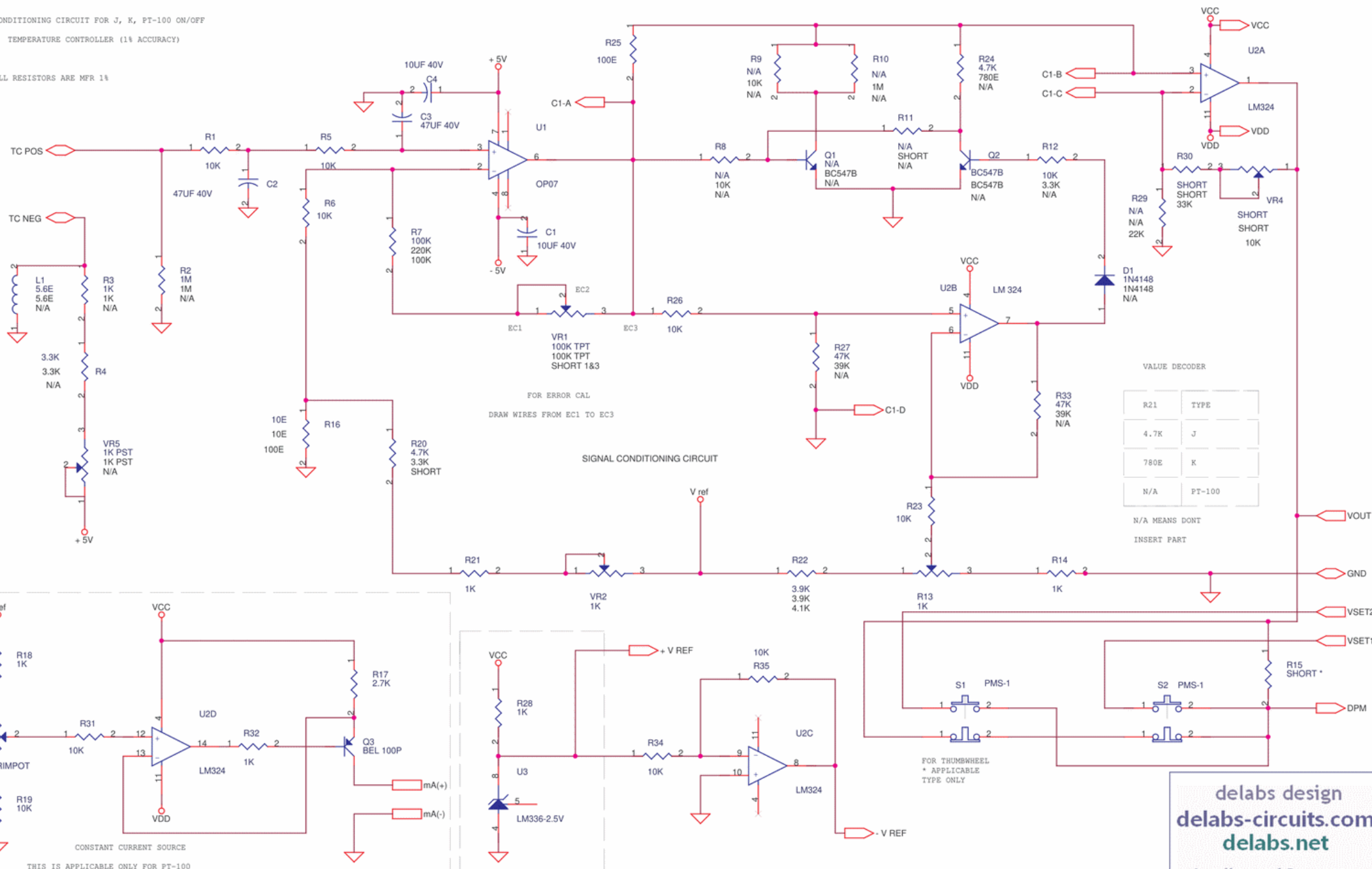


NOTE : ALL RESISTORS ARE MFR 14



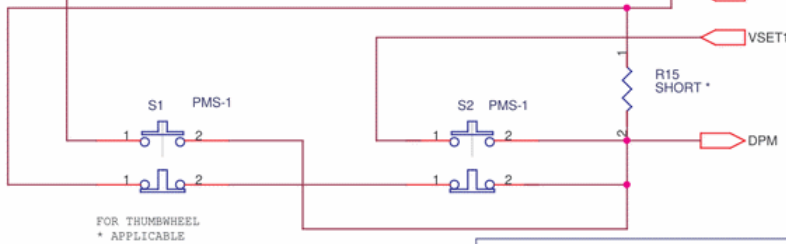
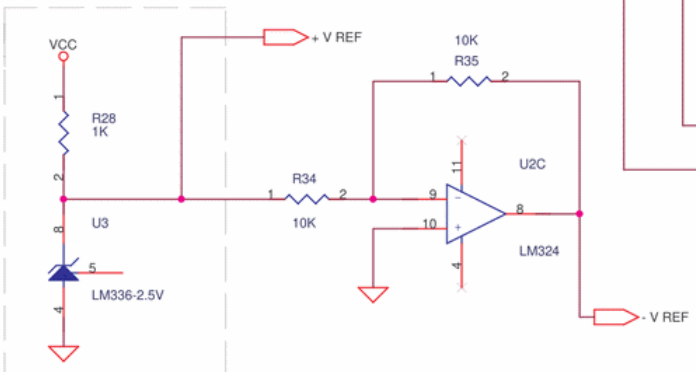
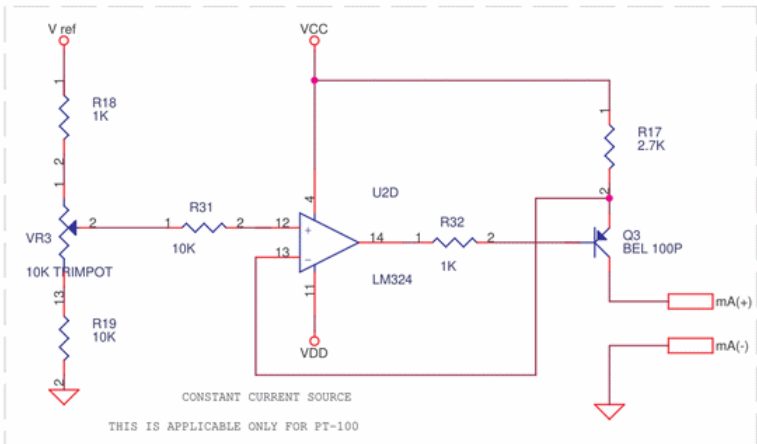
FOR ERROR CAL
DRAW WIRES FROM EC1 TO EC3

SIGNAL CONDITIONING CIRCUIT

VALUE DECODER

R21	TYPE
4.7K	J
780E	K
N/A	PT-100

N/A MEANS DONT
INSERT PART



delabs design
delabs-circuits.com
delabs.net
Intellectual Property