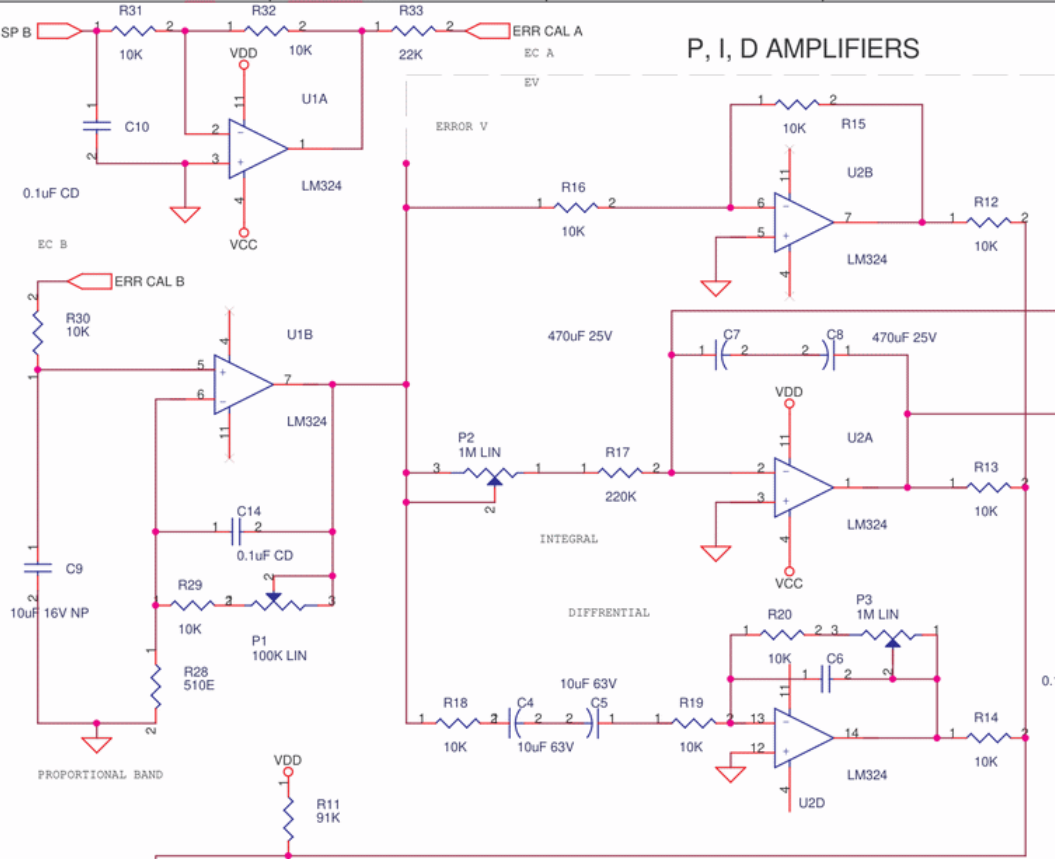
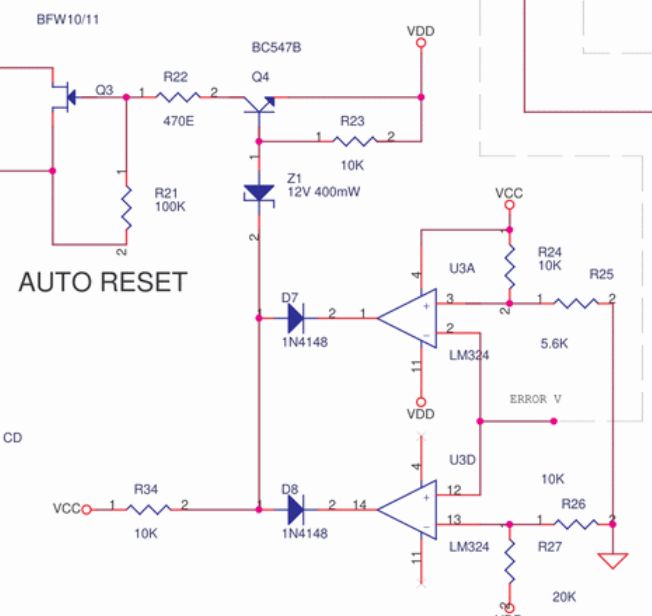


delabs design  
 delabs-circuits.com  
 delabs.net  
 Intellectual Property

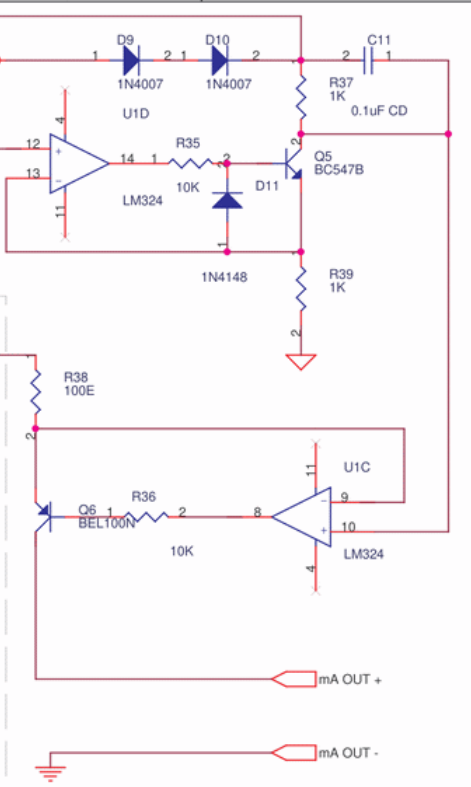
P, I, D AMPLIFIERS



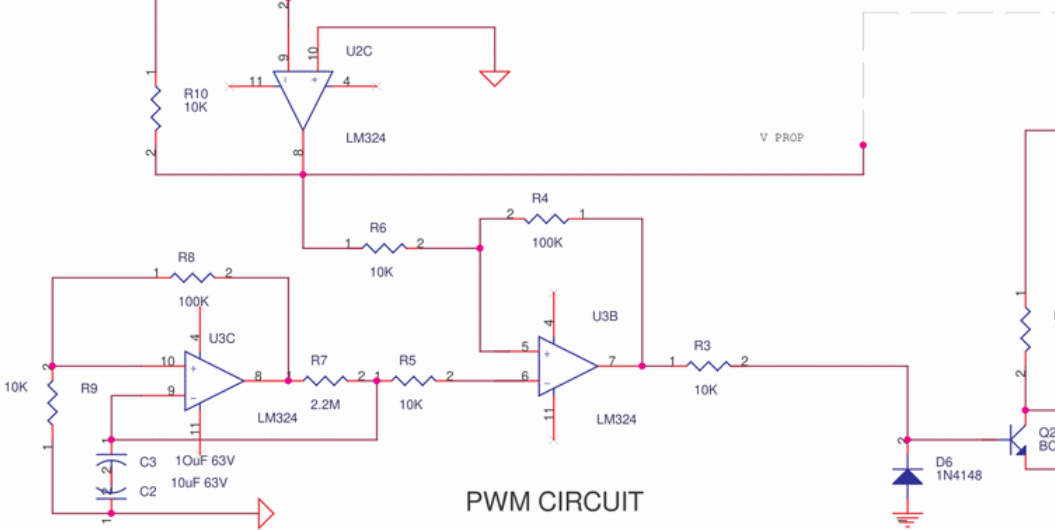
AUTO RESET



V TO I CONVERTOR



PWM CIRCUIT



ST

