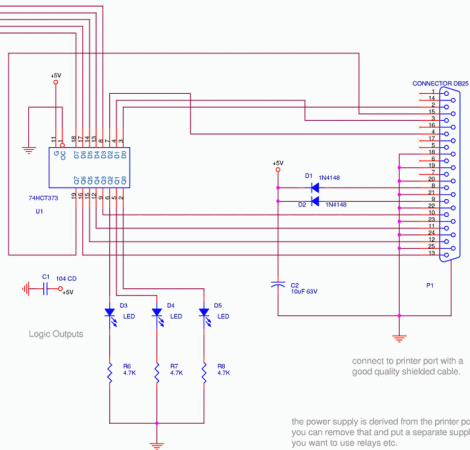
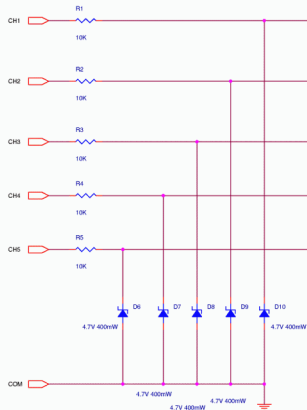


Logic Inputs



Logic Outputs

"analog ground" and "digital ground" must be linked at power supply only, avoid loops, let grounds radiate from a ground plane.  
use MFR 1% for all Resistors, 33E means 33 ohms, 22K means 22 kilo ohms, 1M is 1 megohm. 10T Trimpot means like 10 turn bourns.  
'474 CD' is 47 with 4 zeros pF, 470000 pF, remove 3 zeros 470 nF, shift decimal 3 places 0.47uF. "pl" is plastic, low leakage multilayer.



delabs design  
delabs-circuits.com  
delabs.net

delabs circuits and technologies

File	Simple Instrument on Printer Port		Rev	1
Size	Document Number	del20005.sch	Sheet	1 of 1
Date	Wednesday, April 14, 2004	Sheet	1 of 1	